

Quick Start Guide

INTERNET CONFERENCE STATION XI-N6



1 Product Overview	3
1.1 Introducing the IPEVO X1-N6 Conference Station	3
1.2 IPEVO X1-N6, front to back	4
1.3 IPEVO X1-N6 key functions	6
1.4 Teleconferencing with the IPEVO X1-N6	6
2 Problem: Solution	7
2.1 The LED is turned off and I cannot hear the other person	7
2.2 I cannot hear the other person	7
2.3 I can hear the other person but he cannot hear me	7
3 Warranty and Customer Service Information	8
3.1 Warranty coverage information	8
3.2 What the warranty does not cover	8
3.3 Limitation of implied warranties	9
3.4 Return and exchange policy and procedure	10
4 Product Specifications and System Requirements	11
4.1 Package contents	11
4.2 Specifications	11
4.3 System requirements	11
4.4 Quick User Guide revision history	11

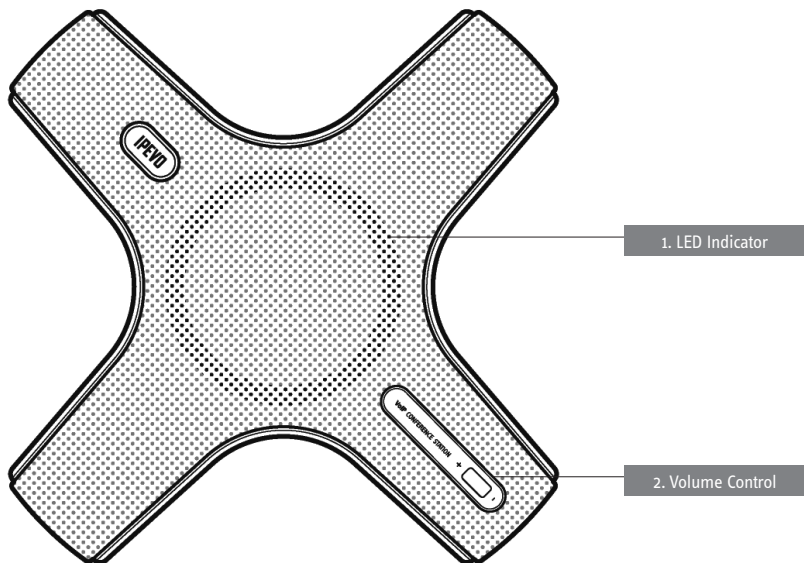
1 PRODUCT OVERVIEW

1.1 Introducing the IPEVO X1-N6 Conference Station

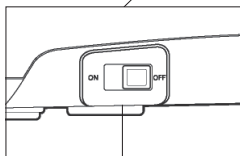
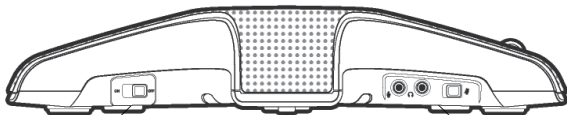
The IPEVO X1-N6 Conference Station provides wideband sound quality in full duplex to meet the needs of professionals using comprehensive VoIP teleconferencing solutions. Hear and be heard clearly without the hassle of drivers using your enterprise teleconferencing solution, such as Avaya One-X, Cisco IP Communicator and Nortel MCS Client.

Our plug and play Conferencing Station can also be used for free conferencing using personal instant messenger applications such as Skype, Windows Live Messenger, Yahoo Messenger, iChat etc. Whether you're on a Mac or on a PC, conferencing with the IPEVO X1-N6 is as easy as plug and talk.

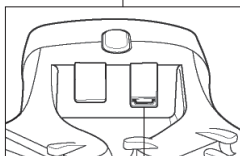
1.2 IPEVO X1-N6, front to back



IPEVO X1-N6 top view

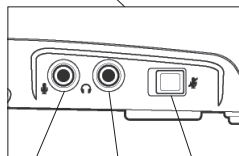


3. Power Switch



Bottom view

4. USB Port



6. Mute Switch

5. Audio Jack - Input

5. Audio Jack - Output

IPEVO X1-N6 side view

1.3 IPEVO X1-N6 key functions

1. LED Indicator:

Green - The IPEVO X1-N6 is on.

Red - The IPEVO X1-N6 is muted.

2. Volume Control: 0 = Lowest to 9 = Highest

3. Power Switch: Slide it to the "ON" position to start using the IPEVO X1-N6. The LED indicator turns on (green).

4. USB Port: Connect the USB cable.

5. Audio Jack Input/Output: Connect a headset for private calls. While the headset is used, the IPEVO X1-N6's original microphone and speaker will be disabled.

6. Mute Switch: Toggle it to mute or unmute a conversation. When the IPEVO X1-N6 is muted, the LED indicator turns red; when unmuted, green.

1.4 Teleconferencing with your IPEVO X1-N6

Follow the steps below to teleconference using your IPEVO X1-N6.

1. Launch your teleconferencing or chat application. If you do not have one, many applications are downloadable from the web such as Yahoo! Messenger, Window Live Messenger and Skype.
2. Connect the USB cable to your computer and turn the IPEVO X1-N6 on (LED turns green).
3. Make sure the IPEVO X1-N6 is selected as the audio input/output device in your computer.
4. Start talking.

TIP: When connecting your X1-N6, remember to adjust your computer's default microphone and speaker settings to the desired level. For optimal results, set both microphone and speaker settings in the mid-range.

Note: You may mute the conversation at any time by sliding the Mute Switch on the side of your X1-N6. The LED will turn red.

2 PROBLEM: SOLUTION

2.1 The LED is turned off and I cannot hear the other person

The LED should turn green when the IPEVO X1-N6 is powered.

- a. Make sure the IPEVO X1-N6 is turned on.
- b. Make sure the USB cable is connected to both the IPEVO X1-N6 and your computer.

2.2 I cannot hear the other person

- a. Make sure the volume of your IPEVO X1-N6 is higher than 0. Try turning the volume up.
- b. Make sure the volume of your computer is not too low or muted.

2.3 I can hear the other person but he cannot hear me

- a. If the LED is red, the IPEVO X1-N6 is muted. Toggle the Mute Switch on the side to unmute the IPEVO X1-N6. The LED will turn green.
- b. Make sure the audio setting in your computer is not muted.
- c. Make sure the audio setting in the application you are using is not muted.

3 WARRANTY AND CUSTOMER SERVICE INFORMATION

3.1 Warranty coverage information

IPEVO products come with a one year parts and labor limited warranty from the date of purchase as described below. Note that shipping and handling fees are not covered by this warranty.

This warranty is valid only for the first consumer purchaser in the original country of purchase. IPEVO warrants its products to be free from defects in material and workmanship during the warranty period. If a product proves to be defective in material or workmanship during the warranty period, IPEVO will, at its sole option, repair or replace the product with a similar product. Replacement Product or parts may include remanufactured or refurbished parts or components. The replacement unit will be covered by the balance of the time remaining on the customer's original limited warranty. IPEVO provides no warranty for the third-party software included with the product or installed by the customer.

3.2 What the warranty does not cover

IPEVO retains the right to refuse warranty repair or exchange for reasons such as but not limited to those listed below:

Any product on which the serial number has been defaced, modified or removed.

Damage, deterioration or malfunction resulting from:

- Accident, misuse, neglect, fire, water, lightning, or other acts of nature.
- Unauthorized product modification, or failure to follow instructions supplied with the product, including use of the product with non authorized programs.
- Repair or attempted repair by anyone not authorized by IPEVO.
- Damage to or loss of any programs, data or removable storage media.
- Software or data loss occurring during repair or replacement.
- Any damage of the product due to shipment.
- Removal or installation of the product.
- Causes external to the product, such as electric power fluctuations or failure.
- Use of supplies or parts not meeting IPEVO's specifications.

- Normal wear and tear.
- Any other cause which does not relate to a product defect (unclear voice quality due to network and not hardware).

3.3 Limitation of implied warranties

THERE ARE NO WARRANTIES, EXPRESS OR IMPLIED, WHICH EXTEND BEYOND THE DESCRIPTION CONTAINED HEREIN INCLUDING THE IMPLIED WARRANTY OF MERCHANTABILITY AND FITNESS FOR A PARTICULAR PURPOSE.

EXCLUSION OF DAMAGES

IPEVO'S LIABILITY IS LIMITED TO THE COST OF REPAIR OR REPLACEMENT OF THE PRODUCT. IPEVO SHALL NOT BE LIABLE FOR:

DAMAGE TO OTHER PROPERTY CAUSED BY ANY DEFECTS IN THE PRODUCT, DAMAGES BASED UPON INCONVENIENCE, LOSS OF USE OF THE PRODUCT, LOSS OF TIME, LOSS OF PROFITS, LOSS OF BUSINESS OPPORTUNITY, LOSS OF GOODWILL, INTERFERENCE WITH BUSINESS RELATIONSHIPS, OR OTHER COMMERCIAL LOSS, EVEN IF ADVISED OF THE POSSIBILITY OF SUCH DAMAGES.

ANY OTHER DAMAGES, WHETHER INCIDENTAL, CONSEQUENTIAL OR OTHERWISE.

ANY CLAIM AGAINST THE CUSTOMER BY ANY OTHER PARTY.

EFFECT OF LOCAL LAW:

This warranty gives you specific legal rights, and you may also have other rights which vary from locality to locality. Some localities do not allow limitations on implied warranties and/or do not allow the exclusion of incidental or consequential damages, so the above limitations and exclusions may not apply to you.

3.4 Return and exchange policy and procedure

Within one year of the purchase date, IPEVO will repair the defective unit, or issue a working replacement for free if the unit is not repairable. You may also return the product within the terms of the above described warranty. Note that shipping and handling fees are not covered by this offer.

To obtain warranty service:

Step 1

Contact IPEVO Customer Support at 1 877 269 4738 or email us at cs@IPEVO.com for a Return Material Authorization number (RMA). You will be required to provide:

1. A copy of the dated sales slip or transaction ID# from our online store.
2. Your name.
3. Your ship to address, email address and phone number.
4. The serial number of the product.
5. A description of the problem.

Step 2.

Bring or ship the product prepaid in the original container, with the associated accessories, to IPEVO at 2860 Zanker Rd Suite 104, Attn: Return and Exchange department, San Jose, CA 95134. Insurance for the returned product is strongly recommended.

4 PRODUCT SPECIFICATIONS AND SYSTEM REQUIREMENTS

4.1 Package contents

- IPEVO Internet Conference Station X1-N6
- USB cable
- Quick Start Guide

4.2 Specifications

- Frequency range: 20~20,000 Hz
- Microphone frequency: 20~16000 Hz
- Voice pick-up range up to 5 meters / approx. 5.4 yards
- USB plug and play
- LED power and mute indicator
- Size: 287 x 287 x 53 mm / 11.3 x 11.3 x 2.1 inches (L x W x H)
- Weight : 580g / 20.5 ozs

4.3 System requirements

- Window XP or Vista, Mac OSX 10.4 and up
- Broadband Internet connection
- Available USB port on your computer
- Instant messenger software or business VoIP platform

4.4 Quick Start Guide revision history

- 1st release version: March 2008
- Minor update: September 2009

Further questions? Comments? Contact IPEVO at Tel: 1 877 269 4738 or email us at cs@ipevo.com

GO! <http://www.ipevo.com>

IPEVO
EXPERIENCE OVER IP

USA, CANADA

IPEVO Inc.

2860 Zanker Road, Suite 104,

San Jose, CA 95134, USA

Tel: 1-877-269-4738

Service email: cs@ipevo.com

<http://www.ipevo.com>

INTERNATIONAL

IPEVO corp

3F, No.53, Bo-ai Rd., Taipei 100, Taiwan

Tel: +886-2-5550-8686

Service email: service@ipevo.com

<http://www.ipevo.com.tw>